

JP Patent First Publication No. 04-155375

**TITLE: DISPLAY UNIT WITH REGULATABLE HEIGHT AND INCLINATION ANGLE,
AND ITS REGULATING MECHANISM**

Abstract:

PURPOSE: To regulate at the most conspicuous height and angle, and to improve the convenience of operation, by providing a movable part between a display unit and a fixed part to support the display unit, connecting them by a rotary shaft with brake, and making the movable part into a parallel moving mechanism.

CONSTITUTION: A display unit 1 is connected to a link 6 by a rotary shaft 2 furnishing a brake, and its inclination angle can be regulated freely. And by rotating a lever 9 and a lever 10 around a rotary shaft 4 with brake, the link 6 is moved parallel to the shaft 4 and a pin 11 without rotating. As a result, the unit 1 connected to the link 6 is also moved parallel up and down. By rotating a movable part 3 around the shaft 4 in such a way, the height of the display unit 1 can be regulated. And an electronic circuit unit 15 is fixed to the lever 10 with installing members 16 and 17.

PATENT ABSTRACTS OF JAPAN

(11)Publication number : 04-155375

(43)Date of publication of application : 28.05.1992

(51)Int.Cl. G09F 9/00

H04N 5/64

H04N 7/14

(21)Application number : 02-278962

(71)Applicant : HITACHI LTD

(22)Date of filing : 19.10.1990

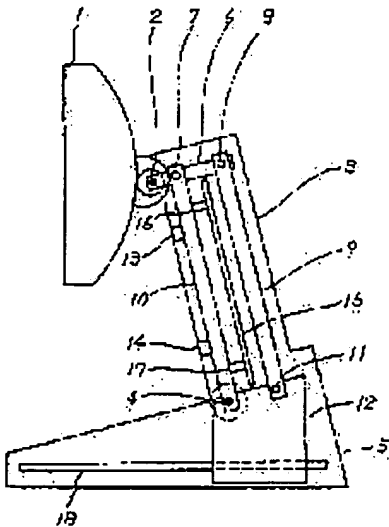
(72)Inventor : MATSUBAYASHI YOSHINOBU
FURUYA JUN

(54) DISPLAY UNIT WITH REGULATABLE HEIGHT AND INCLINATION ANGLE, AND ITS REGULATING MECHANISM

(57)Abstract:

PURPOSE: To regulate at the most conspicuous height and angle, and to improve the convenience of operation, by providing a movable part between a display unit and a fixed part to support the display unit, connecting them by a rotary shaft with brake, and making the movable part into a parallel moving mechanism.

CONSTITUTION: A display unit 1 is connected to a link 6 by a rotary shaft 2 furnishing a brake, and its inclination angle can be regulated freely. And by rotating a lever 9 and a lever 10 around a rotary shaft 4 with brake, the link 6 is moved parallel to the shaft 4 and a pin 11 without rotating. As a result, the unit 1 connected to the link 6 is also moved parallel up and down. By rotating a movable part 3 around the shaft 4 in such a way, the height of the display unit 1 can be regulated. And an electronic circuit unit 15 is fixed to the lever 10 with installing members 16 and 17.



LEGAL STATUS

[Date of request for examination]

[Date of sending the examiner's decision of rejection]

[Kind of final disposal of application other than the examiner's decision of rejection or application converted registration]

[Date of final disposal for application]

[Patent number]

[Date of registration]

[Number of appeal against examiner's decision of rejection]

[Date of requesting appeal against examiner's decision of rejection]

[Date of extinction of right]

Copyright (C); 1998,2003 Japan Patent Office